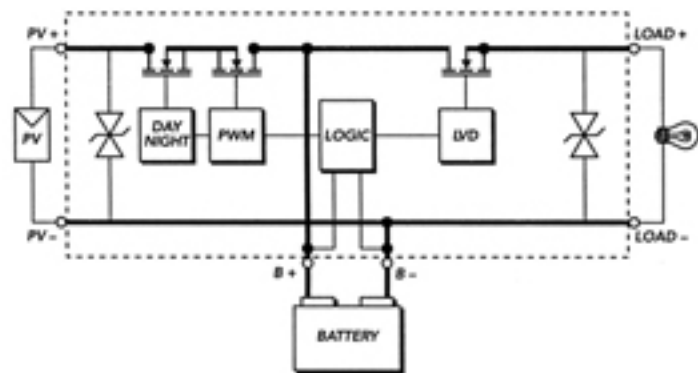




## Features:

- 12 and 24 volts
- 10 and 20 amps
- 100% solid state
- Series design (not shunt)
- True 0 to 100% PWM duty cycle
- Setpoint accuracy to 35 mV
- Rated for 25% overloads
- Fully encapsulated in epoxy potting
- Marine rated terminals/anodized case
- Temperature compensation
- Sealed/Flooded battery select
- No need to derate
- Parallel for 40 amps or more
- Green charging/Red LVD indicators



## Mechanical Specifications

- Wire size # 10 AWG(5.2mm<sup>2</sup>)
- Anodized aluminum case
- Marine rated terminals
- Epoxy encapsulated
- Weight is 8 oz(0.23kg)

## Electrical Specifications

Rated Solar Input	12 Volt	24Volt
	10/20A	
Rated Load	10/20A	
25% Current Overload	5min	5min
Regulation Voltage:		
Sealed Battery	14.1V	28.2V
Flooded Battery	14.4V	28.8V
Load Disconnect	11.5V	23.0V
LVD Reconnect	12.6V	25.2V
Temp.Comp.(mV/°C)	-28	-56
Self-consumption	6 to 10mA	
Operating Temp	-40 to +85°C	

